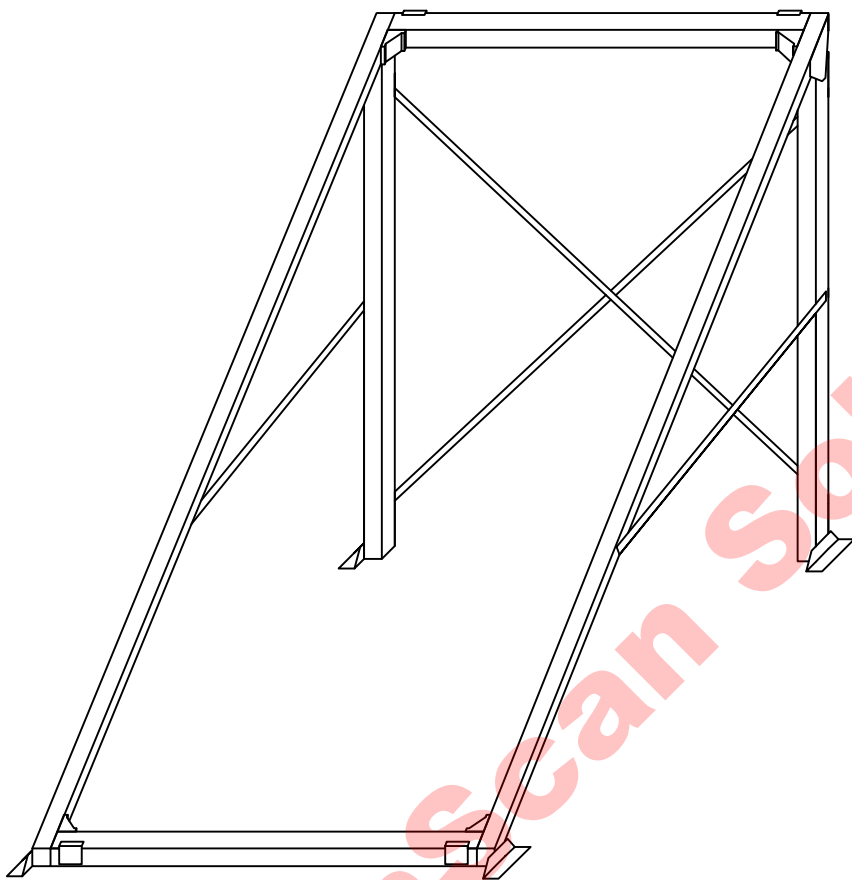


# SUNSCAN<sup>TM</sup>

SOLAR ENERGY TECHNOLOGIES  
SINCE 2008



## **SS-FP 2m<sup>2</sup> VERTICAL FLATROOF FRAME**

### **Components:**

**40mm x 40mm Chanel Profile Aluminium:**

**2 x 2000mm (Side Beams)**

**2 x 1100mm (Back Legs)**

**2 x 920mm (Cross Beams)**

**20mm x 15mm U Chanel Aluminium:**

**2 x 1200mm (Cross Bracing)**

**2 x 780mm (Side Bracing)**

### **Additional:**

**4 x Feet**

**2 x Triangle Bracket**

**4 x 90° Angle Bracket**

**4 x Panel Clip**

### **Hardware:**

**30 x 8mm x 20mm SS Bolt**

**1 x 8mm x 20mm SS Bolt**

**31 x 8mm SS Nut**